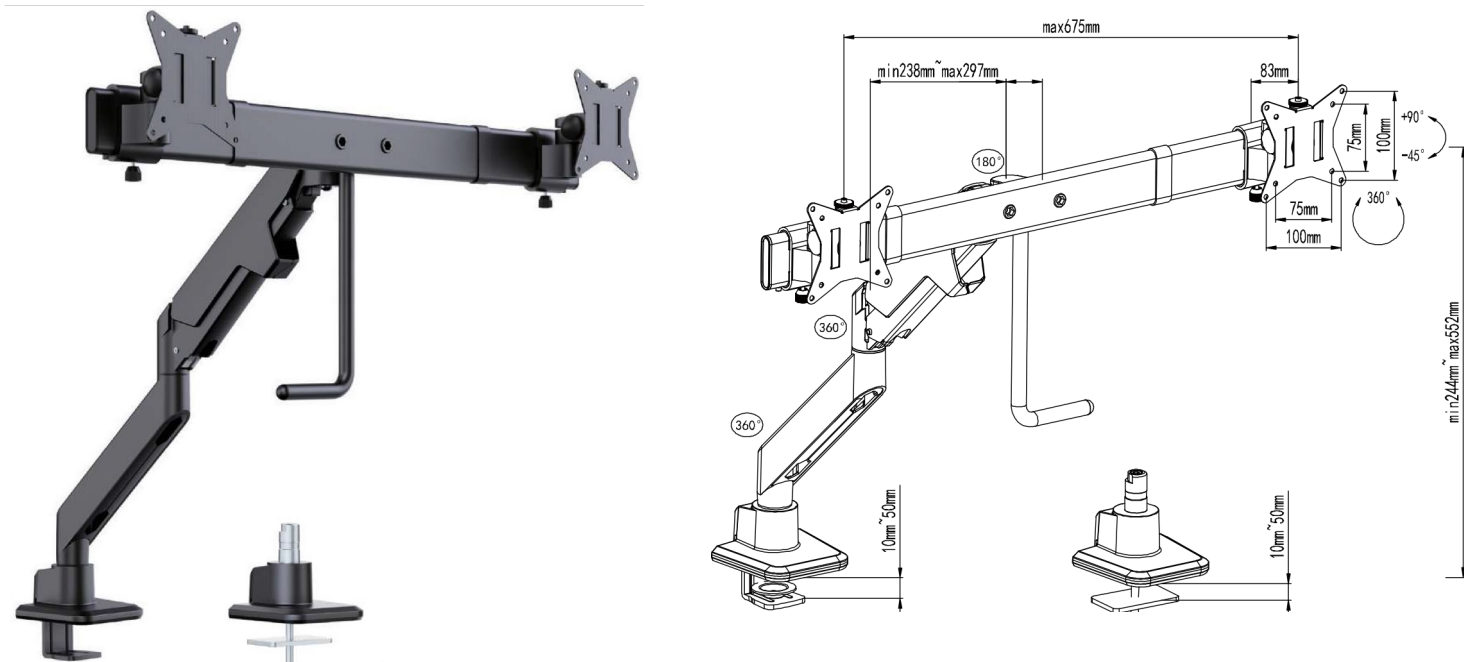


Serene Dual Cross Beam Arm



Product Specification

Product code	CMS3261 - Black
Weight capacity	0-8kg (per monitor)
Max Screen Size	27"
VESA	75mm & 100mm VESA compliant
Movement	Height adjustment, VESA tilt, and VESA rotate
Height adjustment	Max height adjustment 297mm
Tilt	$\pm 90^\circ \sim -45^\circ$
Swivel	$\pm 90^\circ \sim 90^\circ$
Rotation	$\pm 180^\circ \sim 180^\circ$

Additional Information

- Dual gas assisted height adjustment
- Quick and easy set up
- Easy disassembly aids recycling
- Made from 85% of single use material (aluminium)
- Quick Release VESA Head
- Includes top fixing baby C style clamp and through desk fixings
- Black – CMS3261 - RAL 9011



Ergo
 01235 773373
 www.ergoldtd.co.uk
 sales@ergoldtd.co.uk